

## 37 Draw Latch

Flexible · Pull type · T-handle

### Features

- Flexible one piece molded latch

### Material

- EPDM rubber and stainless steel or steel, zinc plated



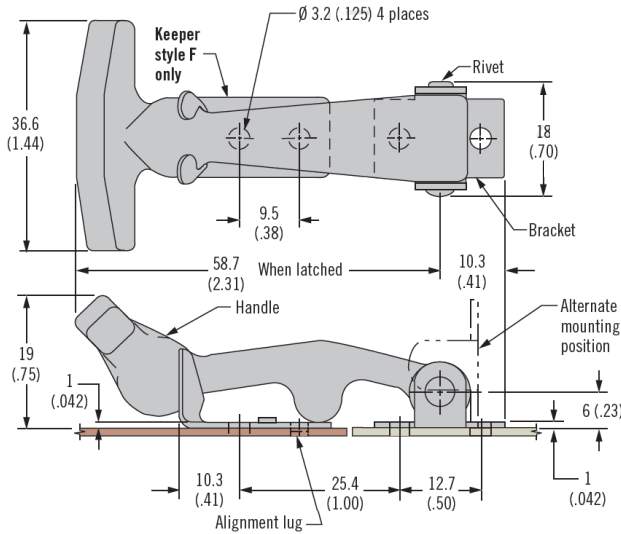
### Installation Notes

- Small: Install assembly with four Ø3 rivets or M3 screws (not supplied)
- Medium: Install assembly with four Ø3.6 flat head rivets or M3.5 screws (not supplied)

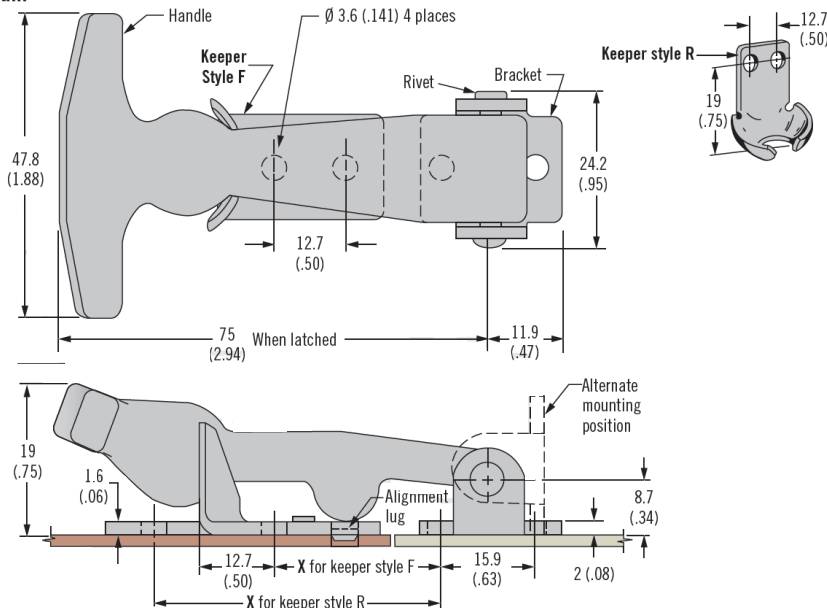
### Product Performance

- Average clamping force:
  - Small: 26 N
  - Medium: 39 N
- Operating temperature range: -20 °C to 95 °C

### Small



### Medium



Small Size Part Number	
Steel	Stainless Steel
37-10-065-10	37-10-065-20

Medium Size Part Number				
Keeper Style	X	Latch Shipped Assembled		Latch Shipped Unassembled
		Steel	Stainless Steel	Steel
F	31.8 (1.25)	37-10-071-10	37-10-071-20	37-10-072-10
R	56.4 (2.22)	37-20-071-10	37-20-071-20	37-20-072-10



## 37 Draw Latch

Flexible · Pull type · T-handle

### Features

- Flexible one piece molded latch

### Product Performance

- Average clamping force: 49 N
- Operating temperature range: -20 °C to 95 °C

### Material

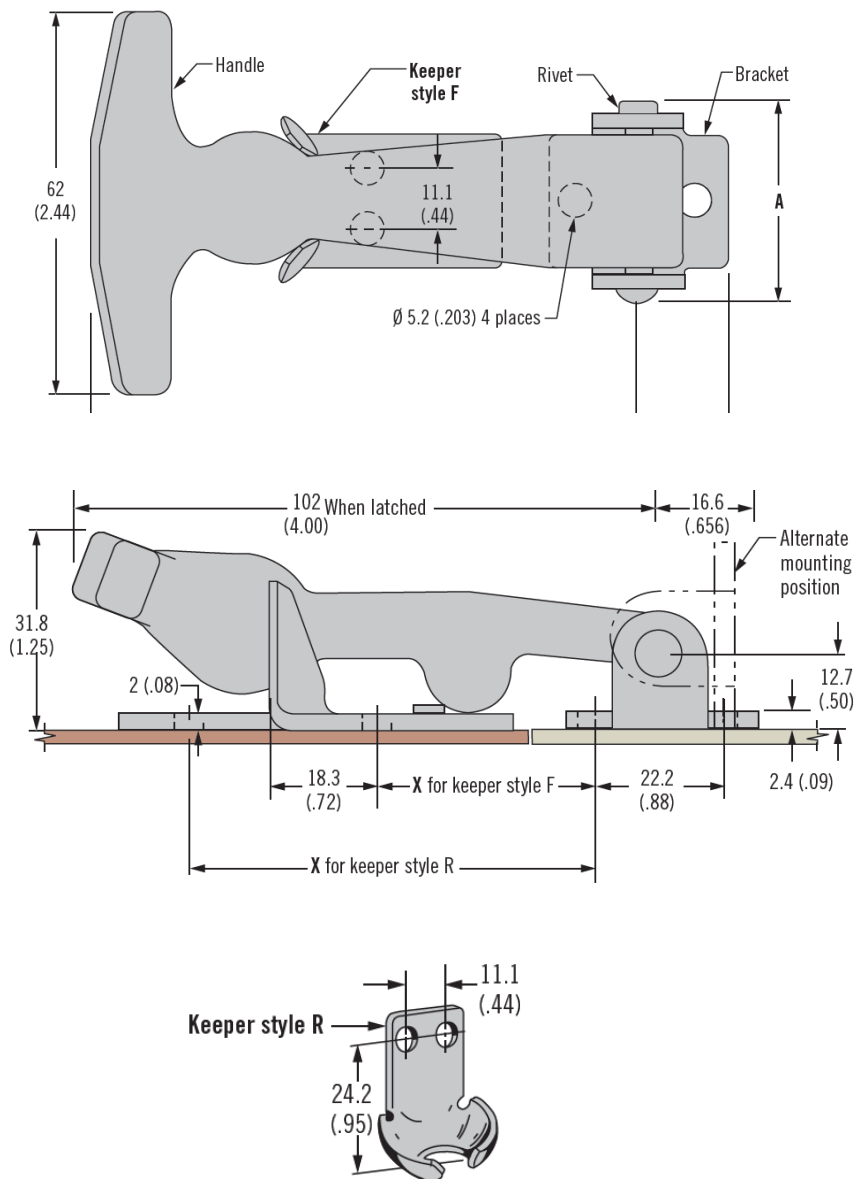
- EPDM rubber and stainless steel

### Installation Notes

- Install assembly with four Ø5 rivets or M5 screws (not supplied)



Large



Part Number						
Keeper Style	X	Latch shipped assembled			Latch shipped unassembled	
		A	Steel	Stainless Steel	A	Steel
F	38.1 (1.50)	31.8 (1.25)	37-10-086-10	37-10-086-20	34 (1.34)	37-10-087-10
R	73 (2.88)		37-20-086-10	37-20-086-20		37-20-087-10

## 37 Draw Latch

Flexible · Pull type · T-handle

### Features

- Flexible one piece molded latch

### Product Performance

- Average clamping force: 84 N
- Operating temperature range: -20 °C to 95 °C

### Material

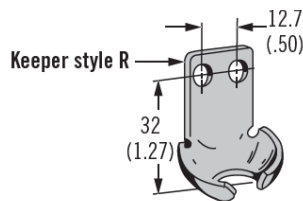
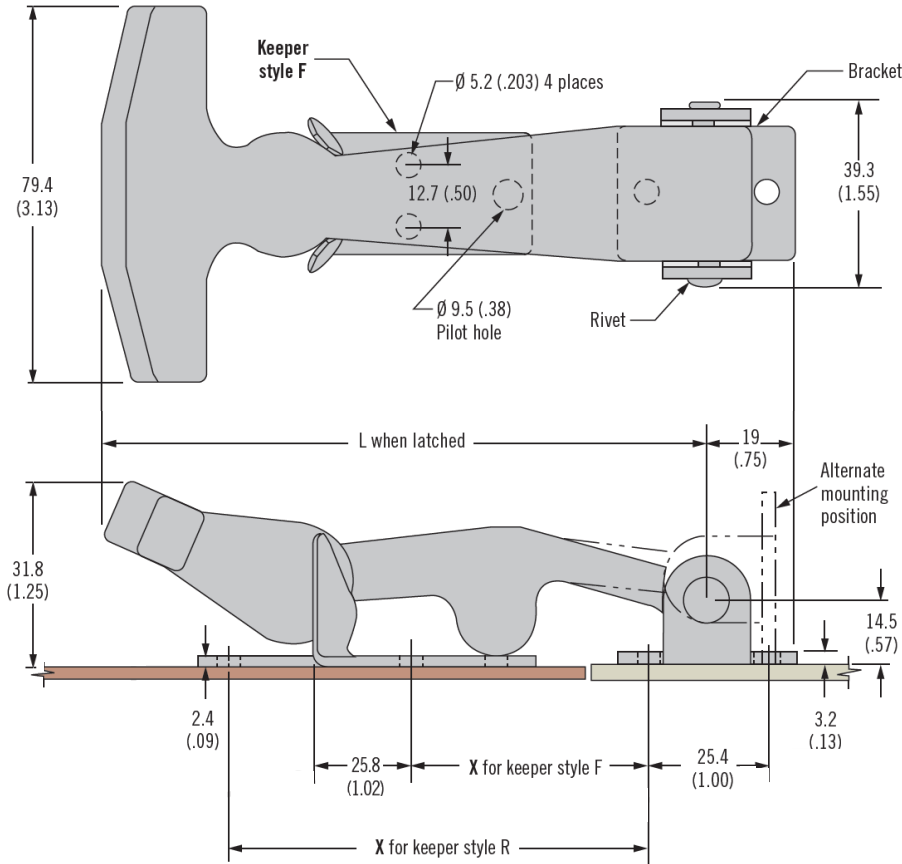
- EPDM rubber and stainless steel or steel, zinc plated

### Installation Notes

- Install assembly with four Ø5 rivets or M5 screws (not supplied)



### Extra Large



Part Number						
Series	Keeper Style	L	X	Latch Shipped Assembled		Latch Shipped Unassembled
				Steel	Stainless Steel	Steel
100	F	130.2 (5.13)	50.8 (2.00)	37-10-101-10	37-10-101-20	37-10-102-10
	R		90.5 (3.56)	37-20-101-10	37-20-101-20	37-20-102-10
130	F	247.7 (9.75)	165.1 (6.50)	37-10-131-10	37-10-131-20	~
	R		204.8 (8.06)	37-20-131-10	37-20-131-20	~

southco®